

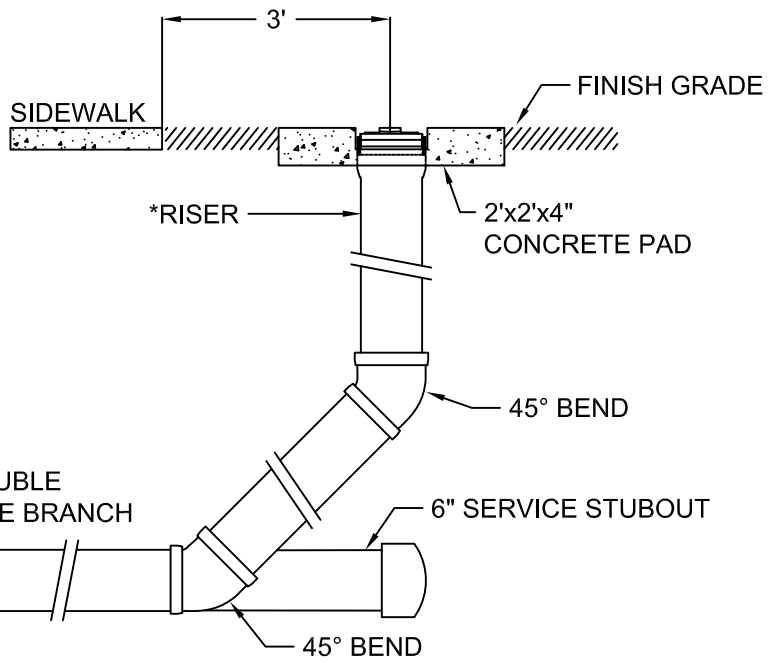
PLAN

* RISER PIPE TO BE LEFT 18" MIN. ABOVE GRADE DURING CONSTRUCTION PERIOD. AFTER FINISH GRADING IS COMPLETED, RISER SHALL BE CUT AND READJUSTED TO GRADE. WHERE CLEAN-OUT RISER FALLS IN A PAVED OR SIDEWALK AREA, A STEEL TRAFFIC BEARING CLEANOUT COVER SHALL BE USED.

NOTE:

EACH SERVICE OR DOUBLE WYE SERVICE SHALL HAVE A STUB-OUT BROUGHT TO THE PROPERTY LINE.

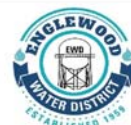
ALL PIPE TO BE SDR-26 PVC.



SECTION

LAST REVISION	AUG. 2019
CHECKED	MM
APPROVED	KRL

**DOUBLE SERVICE
SANITARY SEWER**



ENGLEWOOD WATER DISTRICT
201 SELMA AVENUE
ENGLEWOOD, FLORIDA 34223